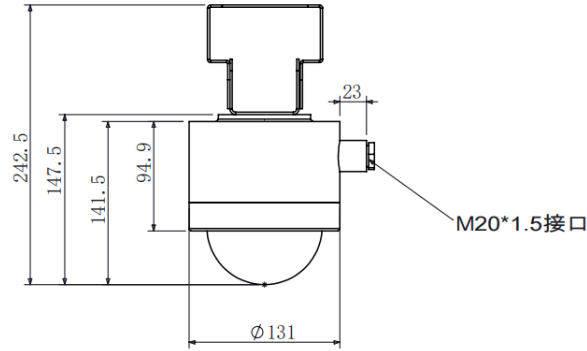


Explosion proof PTZ camera



Functional characteristics

- Double explosion proof certification, explosion proof mark: Ex d IIC T6Gb/Ex tD A21IP68T80°C
- Resolution 2688*1520
- Support H264 and H265 video compression algorithms;
- Visible light uses a high-performance 4 million pixel 1/2.8" CMOS image sensor, 2.8mm/4mm/6mm lens optional.
- IP68, Explosion-proof, anti-corrosion, dust-proof and waterproof
- Work Temperature: -40°C~+60°C
- 30M IR Distance
- 304 Stainless steel / 316L Stainless steel.

Environment

Suitable for flammable gases with class II A、IIB、IIC, ignition temperature group is zone 1 and zone 2 of T1-T6 group, flammable explosive gas, dust, oil refining, refining, gas station, filling station, oil well, drilling, oil tank truck, pipeline valve station, etc. The mixture of gas, steam or foggy combustible substance and air in explosive gas environment atmosphere will spread all over the environment of unburned mixture after igniting in the mixture.

Technical parameters

Product model		HL-E9001S-D-4.0MP
Visible light	Imaging devices	1/2.8 inch Scan 4MP by line CMOS image sensor
	Lens	2.8mm, 4mm., and 6 mm optional
	Aperture	F1.6

	Shutter	1/1 seconds ~1/30,000 seconds
	D-WDR	YES
	Minimum illumination	Color :0.0005 Lux @(F1.6, AGC ON) Black and white :0 Lux @(IR ON)
	Day and night switching	Automatic infrared filter switching color to black
	Code Protocol	H.265、H.264
	Resolution	50 Hz: 25 fps (2688 × 1520, 1920 × 1080, 1280 × 720) 60 Hz: 30 fps (2688 × 1520, 1920 × 1080, 1280 × 720)
	Video streaming	Three-code stream
	Motion detection	Support
	Privacy Cover	Support
	Agreement	TCP/IP、HTTP、DHCP、DNS、DDNS、RTP、RTSP、PPPoE、SMTP、NTP、UPnP、SNMP、FTP、802.1x、QoS、HTTPS、IPv6(SIP, SRTP, optional), GB28181、E-HOME
	Compatibility	ONVIF2.4、GB/T28181
Lens	Lens Type	Fixed focal lens, 2.8, 4, and 6 mm optional
	Focal Length & FOV	2.8 mm, horizontal FOV 112° , vertical FOV 61° , diagonal FOV 134° 4 mm, horizontal FOV 95° , vertical FOV 51° , diagonal FOV 115° 6 mm, horizontal FOV 58° , vertical FOV 31° , diagonal FOV 69°
	Lens Mount	M16
	Iris Type	Fixed
	Aperture	F1.6
	Depth Of Field	2.8 mm, 2.5 m to ∞ 4 mm, 3.5 m to ∞ 6 mm, 7.5 m to ∞
	DORI	2.8 mm, D: 58 m, O: 23 m, R: 11 m, I: 2 m 4 mm, D: 77 m, O: 30 m, R: 15 m, I: 7 m 6 mm, D: 115 m, O: 45 m, R: 23 m, I: 11 m
General norms	Explosion proof signs	Ex d IIC T6Gb/Ex tD A21IP68T80°C
	Power supply mode	DC12V 2A PoE: 802.3af, Class 3, 36 V to 57 V, 0.25 A to 0.15 A, max. 7.5 W
	Working temperature and humidity	-40°C~60°C, humidity less than 90% RH(no condensation)
	Protection level	IP68
	Shell material	304 stainless steel material (chemical, acid and alkali corrosive environment use)
	Incoming hole specification	1 G3/4" feed hole
	Installation mode	A variety of installation options depending on the application environment
	IR Distance	30Meters
	Product weight	4kgs