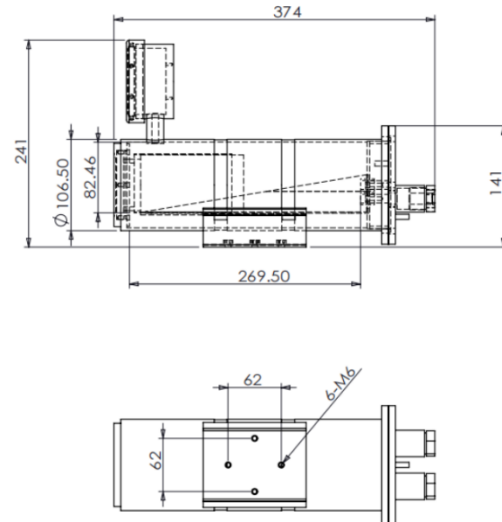


Explosion proof IR Housing camera



Functional characteristics

- Double explosion proof certification, explosion proof mark: Ex d IIC T6Gb/Ex tD A21IP68T80°C
- Resolution 4.0MP
- Support H264 and H265 video compression algorithms;
- Visible light uses a high-performance 4 million pixel 1/2.8" CMOS image sensor ,33X zoom lens.
- IP68,Explosion-proof,anti-corrosion,dust-proof and waterproof
- Work Temperature: -40°C~+60°C
- 50M IR Distance
- Support SD Card feature, Max: 128GB storage
- 304 Stainless steel / 316L Stainless steel.

Environment

Suitable for flammable gases with class II A、 IIB、 IIC, ignition temperature group is zone 1 and zone 2 of T1-T6 group, flammable explosive gas, dust, oil refining, refining, gas station, filling station, oil well, drilling, oil tank truck, pipeline valve station, etc. The mixture of gas, steam or foggy combustible substance and air in explosive gas environment atmosphere will spread all over the environment of un-burned mixture after igniting in the mixture.

Technical parameters

Product model		HL-814D-W-4.0MP	
Visible light	Imaging devices	1/2.8 inch Scan 5.0MP by line CMOS image sensor	
	Focal length/change	33X optical Zoom, 16X Digital Zoom	
	Aperture	F1.4	
	Shutter	1/1 seconds ~1/30,000 seconds	
	D-WDR	YES	
	Minimum illumination	Color :0.0005 Lux @(F1.6, AGC ON) Black and white :0 Lux @(IR ON)	
	Day and night switching	Automatic infrared filter switching color to black	
	Code Protocol	H.265、H.264	
	Resolution	50 Hz: 25 fps (2688 × 1520, 1920 × 1080, 1280 × 720) 60 Hz: 30 fps (2688 × 1520, 1920 × 1080, 1280 × 720)	
	Video streaming	Three-code stream	
	Motion detection	Support	
	Privacy Cover	Support	
	Agreement	TCP/IP、HTTP、DNS、DDNS、RTP、RTSP、PPPoE、SMTP、NTP、UPnP、FTP、HTTPS	
	Compatibility	ONVIF2.4、GB/T28181	
General norms	Lens	Lens Type	4.5~ 148.5mm, AF automatic focusing and motorized zoom lens
		Digital zoom	16X
		Optical zoom	33X
		Explosion proof signs	Ex d IIC T6Gb/Ex tD A21IP68T80°C
		Power supply mode	DC12V 2A
		Working temperature and humidity	-40°C~60°C, humidity less than 90% RH(no condensation)
	General norms	Protection level	IP68
		Shell material	304 /316L stainless steel material
		Incoming hole specification	1*M25*1.5 feed hole
		Installation mode	A variety of installation options depending on the application environment
		IR Distance	50Meters
		Product weight	8kgs