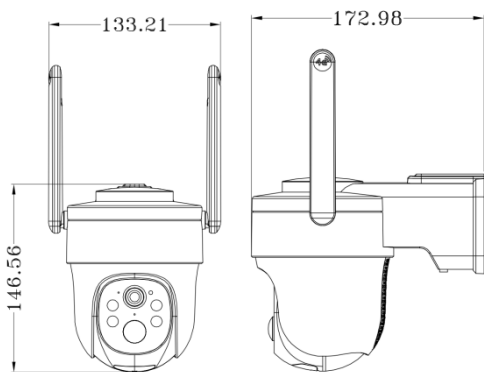




Feature

- ◆ 100% Wire-Free
- ◆ 5200mAh rechargeable Li batteries
- ◆ Support PIR, instant & accurate alarm, voice and light alarm
- ◆ Support two-way audio
- ◆ Support Pan:0-350°, Tilt:0-90°
- ◆ IP65, outdoor camera
- ◆ Recharged by 3W solar panel
- ◆ AI Intelligent features (Human detection, vehicle detection, animal detection, object loss detection, object residue detection) optional

Dimensions



Unit: mm

Technical Specifications

Model	AX-5PT2
Camera	
Image sensor	1/2.7" 5Megapixel CMOS
Effective pixels	2592(H) * 1944(V)
Shutter	1/15~1/100,00s
Min illuminance	Color 0.1Lux Black/White 0.01Lux
IR distance	Black & white image, night vision distance is 10-15M
Day/Night	Auto(ICR)/Color/ B/W
WDR	DWDR
Lens	4mm@F2.0,105°
Video&Audio	
Video compression	H.265
Bit rate	32Kbps~2Mbps
Audio Input/output	Built-in mic/speaker
Network	
Alarm trigger	Support PIR, voice and light alarm
Interface protocol	Private
Wireless	2.4G WIFI(IEEE802.11b/g/n)
Supported mobile phone OS	iOS 9 or later,Android 5 or later
Security	User authentication, software encryption
Battery & PIR	
Battery	5200mAh rechargeable Li batteries
Standby time	6 months
Working time	2 months(20 times wake up per day)
PIR Detection	8m Max, 100°
General	
Operating temperature	-20 °C to 50 °C
Power supply	DC 5V/1A
Pan & Tilt	Pan:0-350° (auto motor) ,Tilt:0~90° (auto motor)
IP rating	IP65
Storage	SD card(Max.128G),
Size(mm)	173x134x147mm (L*W*H)
Weight(Include solar panels)	0.6KG