



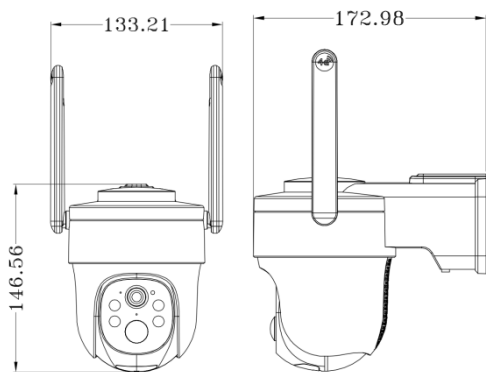
## Technical Specifications

<b>Model</b>	AX-3PT2
<b>Camera</b>	
Image sensor	1/2.9" 3Megapixel CMOS
Effective pixels	2304(H)*1296(V)
Shutter	1/15~1/100,000s
Min illuminance	Color 0.1Lux Black/White 0.01Lux
IR distance	Black & white image, night vision distance is 10-15M
Day/Night	Auto(ICR)/Color/ B/W
WDR	DWDR
Lens	4mm,@F2.2 94°
<b>Video&amp;Audio</b>	
Video compression	H.265
Bit rate	32Kbps~2Mbps
Audio Input/output	Built-in mic/speaker
<b>Network</b>	
Alarm trigger	Support PIR, voice and light alarm
Interface protocol	Private
Wireless	2.4G WIFI(IEEE802.11b/g/n)
Supported mobile phone OS	iOS 9 or later,Android 5 or later
Security	User authentication, software encryption
<b>Battery &amp; PIR</b>	
Battery	5200mAh rechargeable Li batteries
Standby time	6 months
Working time	2 months(20 times wake up per day)
PIR Detection	8m Max, 100°
<b>General</b>	
Operating temperature	-20 °C to 50 °C
Power supply	DC 5V/1A
Pan & Tilt	Pan:0° ~350° (auto motor) ,Tilt:0~90° (auto motor)
IP rating	IP65
Storage	SD card(Max.128G),
Size(mm)	173x134x147mm (L*W*H)
Weight(Include solar panels)	0.6KG

### Feature

- ◆ 100% Wire-Free
- ◆ 5200mAh rechargeable Li batteries
- ◆ Support PIR, instant & accurate alarm, voice and light alarm
- ◆ Support two-way audio
- ◆ Support Pan:0-350° ,Tilt:0-90°
- ◆ IP65,outdoor camera
- ◆ Recharged by 3W solar panel
- ◆ AI Intelligent features (Human detection, vehicle detection, animal detection, object loss detection, object residue detection) optional

### Dimensions



Unit: mm