



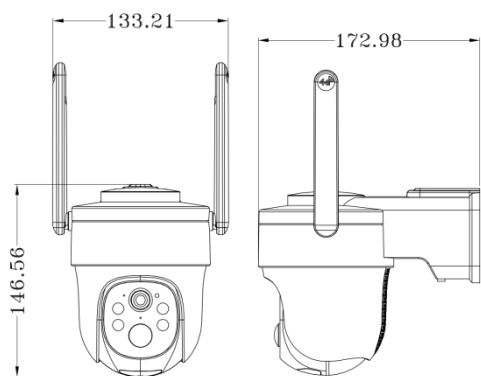
Technical Specifications

Model	AX-3PT2-4G
Camera	
Image sensor	1/2.9" 3Megapixel CMOS
Effective pixels	2304(H)*1296(V)
Shutter	1/20~1/10,000s
Min illuminance	Color 1Lux Black/White 0.01Lux
IR distance	Black & white image, night vision distance is 10-15M
Day/Night	Auto(ICR)/Color/ B/W
WDR	DWDR
Lens	4mm,@F1.6 94°
Video&Audio	
Video compression	H.264+
Bit rate	32Kbps~2Mbps
Audio Input/output	Built-in mic/speaker
Network	
Alarm trigger	PIR human detection,voice and light alarm
Interface protocol	Private
Working Current	4G LTE/3G GSM
Supported mobile phone OS	iOS 9 or later,Android 5 or later
Security	User authentication, software encryption
Battery & PIR	
Battery	9000mAh rechargeable Li batteries
Standby time	10 months
Working time	3 months(20 times wake up per day)
PIR Detection	8m Max, 100°
General	
Operating temperature	-20 °C to 55 °C
Power supply	DC 5V/1A
Optional Accessory	Solar panel
Pan & Tilt	Pan:0° ~90° (auto motor) ,Tilt:0~350° (auto motor)
IP rating	IP65
Storage	SD card(Max.128G),
Size(mm)	173x134x147mm (L*W*H)
Weight(Include solar panels)	1.2KG(include solar panel)

Feature

- ◆Support 4G LTE/3G GSM
- ◆9000mAh rechargeable Li batteries
- ◆Support PIR human detection,voice and light alarm
- ◆Support SD card (max. 128GB) Not supported Cloud storage
- ◆PTZ Camera,Pan:0-350° ,Tilt:0-90°
- ◆IP65,outdoor camera
- ◆Support powered by solar panel(6w)
- ◆AI Intelligent features (Human detection, vehicle detection, animal detection, object loss detection, object residue detection) optional

Dimensions



Unit: mm