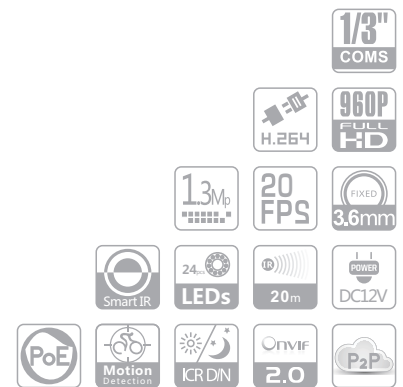


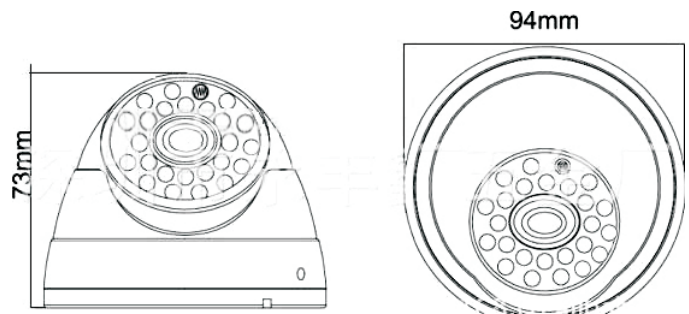
Model Number:
AX-H130DA-IP



Main Features:

- ◆ 1/3" progressive scan CMOS
- ◆ H.264 compression
- ◆ 1.3Megapixels, 20fps(1280×960)
- ◆ 3.6MM Lens
- ◆ Intelligent IR,24pcs led, 20m IR
- ◆ DC12V/POE
- ◆ Motion Detection
- ◆ Built-in IR CUT Filter for Day/Night function
- ◆ Onvif 2.0; P2P function

Size(mm):



Specifications:

Camera	
Model	AX-H130DA-IP
Image Sensor	1/3" progressive scan CMOS, AR0130 + Hi3518E
Picture Elements	1280(H)×960(V)
Minimum illumination (Color, B/W, IR ON)	1.0Lux@F1.2(Color), 0.1 Lux@F1.2 (B/W),0LUX(IR ON)
System Structure	Embedded RTOS design, Dual Core 32 bit DSP Hard Compression, Watch Dog, 8M FLASH
Electronic Shutter Speed	1/25s~1/20,000s

Lens	
Megapixel	YES
Day/Night	Yes(with IR CUT filter)
Lens Type	Fixed
Focal Length	3.6mm
Maximum Aperture	F/1.2
Mount	CS
Image Format	1/2.7"
Operation(Focus/Zoom/Iris)	Manual/Manual/DC drive
IR Led Quantity	24pcs

Max IR Distance | 20m

Operation

Video Compression	H.264
Video Streaming	From H.264
Video Output	1Vp-p Composite Output(75 Ohm, BNC)
Video Streaming	0.1M~6Mbps(Adjustable)
Frame Rate	20fps at 1280×960
Video Resolution	20fps(1280×960)
Main Stream	1280×720; 1280×960
Sub Stream	640×360,480×270,320×180; CIF as default

Network

Interface	10/100M Ethernet
Ethernet Protocol	ONVIF/RTSP/FTP/PPPOE/DHCP/DDNS/NTP/ UPnP
Network Port	RJ45

General

Environment Temperature	-10°C~60°C (14°F~140°F)
Humidity	10% to 90%(No condensation)
Power Source	DC12V
MAX. Power Consumption	12W
Dimensions	D94×H73(mm)
Weight	0.5KG
Regulatory	CE ROHS

Web interface

Installation Management	Web-based Configuration
Maintenance	Firmware upgrade through UC software

Applications

Network Storage	NVR, SERVER
Smart Device	iPhone, Android
Live viewing	IE,mobile phone

Note:

- ◆ Do not use clothes or any ordinary material to clean the camera cover since they may result in scratches.
- ◆ Specifications are subject to change without notice.

Packing List:

- ◆ Dome Camera
- ◆ Accessories screws
- ◆ Software CD
- ◆ Sticker

Specifications are subject to change without notice.

ANSON (HK) Technology Company Limited

Shenzhen Enerson Technology Company Limited

Headquarter
Address: 4F, Block 5, Wuzi Industrial Park, Fada Road, Bantian,
Longgang District, Shenzhen, China

Tel: +86-755-28188843
Fax: +86-755-28188834
Mail: info@cctv-ax.net
Http: www.cctv-ax.com

