

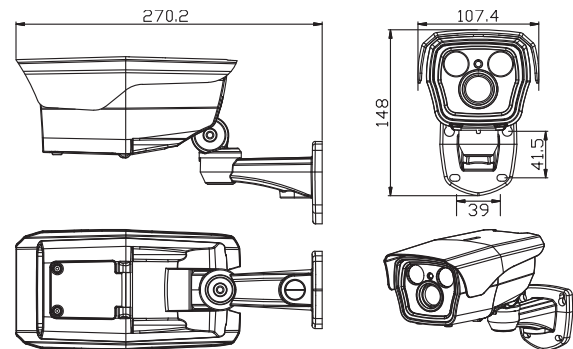
Model Number:
AX-A200WDB-IP



Main Features:

- ◆ Ambarella solution, WDR, ONVIF 2.0
- ◆ 1/2.9" CMOS sensor, 1080P 2.0 megapixel
- ◆ Resolution: 25fps(1920×1080)
- ◆ Multi-stream: FHD/1080P+Full D1+CVBS
- ◆ M14 lens port, 2.8-12mm/9-22mm varifocal lens optional
- ◆ ICR filter auto switch, motion detection

Size(mm):



Specifications:

Camera	
Model	AX-A200WDB-IP
Image Sensor	1/2.9" CMOS 2.0MP
Picture Elements	1080P 2.0MP, 1920(H)×1080(V)
Minimum illumination (Color, B/W, IR ON)	0.05Lux@F1.2(color), 0.02 Lux@F1.2(B/W), 0LUX(IR ON)
System Structure	Ambarella solution
Electronic Shutter Speed	1/10000s to 1/25s
Auto control	AWB/AGC/AE/AIC,4A
White Balance	Automatic, Manual
Gain Control	Automatic
S/N Ratio	47
WDR Pro	Yes
BLC	Yes

Lens

Megapixel	YES
-----------	-----

Day/Night	Yes(with IR CUT filter)
Lens Type	Varifocal
Focal Length	2.8-12mm/9-22mm
Maximum Aperture	F/1.2
Mount	M14
Image Format	1/2.7"
Operation(Focus/Zoom/Iris)	Manual/Manual/DC drive
IR Led Quantity	2pcs Array LED
Max IR Distance	50-60m

Operation

Video Compression	H.264 Main Profile @ Level 4.1 / Motion JPEG
Video Streaming	From H.264/MJPEG
Video Output	1Vp-p Composite Output (75 Ohm, BNC)
Video Streaming	Multi-channel H.264 and M-JPEG; H.264 support VBR/CBR
Main Stream	FHD/1080P+Full D1+CVBS
Frame Rate	25fps at 1920×1080
Video Resolution	Full HD/1080P(1920×1080)+Full D1
Horizontal resolution	>950TVL(1920×1080 pixels), >800TVL(1280×1024 pixels), >700TVL(1280×720 pixels)

Network

Interface	10/100M Ethernet
Ethernet Protocol	IPV4, TCP/IP, UDP, HTTP, DHCP, RTP/RTCP/RTSP, FTP, UPnP, DDNS, NTP, IGMP, ICMP
Network Port	10Base-T/100Base-TX, RJ45

General

Environment Temperature	0°C ~ 50°C
Humidity	20% to 80% RH (No condensation)
Power Source	DC12V
MAX. Power Consumption	12W
Dimensions	L270.2×W107.4 (mm)
Weight	2.3KG
Vandal Resistance	IK10
Regulatory	CE ROHS

Web interface

Installation Management	Web-based Configuration
Maintenance	Firmware upgrade through software

Applications

Network Storage	NVR, SERVER
Smart Device Access	HDLive for iPhone and Android
Live viewing	IE, mobile phone

Note:

- ◆ Do not use clothes or any ordinary material to clean the camera cover since they may result in scratches.
- ◆ Specifications are subject to change without notice.

Packing List:

- ◆ Waterproof Camera
- ◆ Accessories screws
- ◆ Software CD
- ◆ Sticker

Specifications are subject to change without notice.

ANSON (HK) Technology Company Limited

Shenzhen Enerson Technology Company Limited

Headquarter

Address: 4F, Block 5, Wuzi Industrial Park, Fada Road, Bantian, Longgang District, Shenzhen, China

Tel: +86-755-28188843

Fax: +86-755-28188834

Mail: info@cctv-ax.net

Http: www.cctv-ax.com

